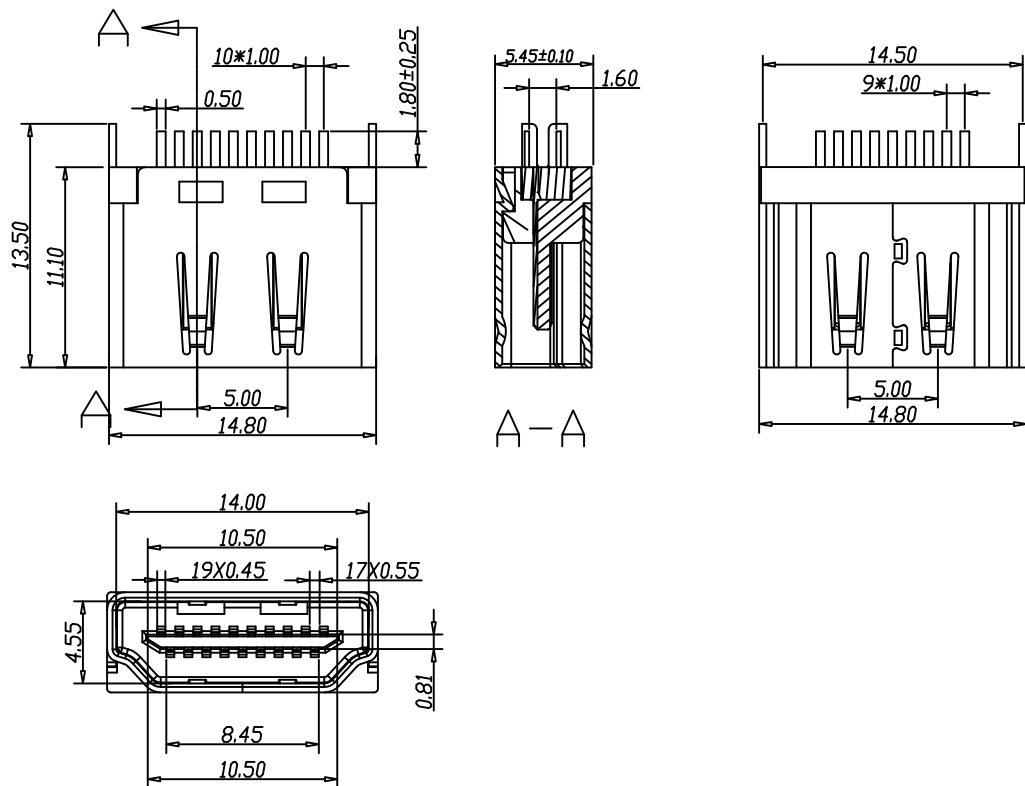


RoHS Compliant

REV.	ZONE	DESCRIPTION	DESIGN	DATE



NOTE :

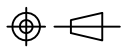
- 1.SPECIFICATION:
 - 1.1.CURRENT RATING: 0.5 Amp Max.
 - 1.2.VOLTAGE RATING: 40 V ac(r.m.s) Max.
 - 1.3.CONTACT RESISTANCE: 10m ohms Max.mated
 - 1.4.INSULATION RESISTANCE:100M ohms Min.
 - 1.5.DIELECTRIC WITHSTANDING VOLTAGE: AC 500V Min. (for 1 minute)
 - 1.6.OPERATION TEMPERATURE RANGE: -25°C~85°C
- 2.MECHANICAL
 - 2.1 INSERTION FORCE: 4.5KGF MAXMUM
 - 2.1 WITHDRAWAL FORCE: 1.0KGF MINIMUM; 4.0KGF MAXMUM

MATERIAL:

Housing: LCP 94V-0 COLOR:BLACK
 Contact: copper alloy
 Shell: Brass OR SPCC

PLATING:

Contact: Au Plated on contact area
 Tin Plated on solder area
 Nickel underplating over all
 Shell: Au or Nickel Plated

Unless otherwise specified tolerances are		<h1>Coorle Technology</h1>						
X.X	±0.25							
X.XX	±0.20	DRAW NO.	ZQ-06-0251	DATE	DRAW NAME: HDMI 19P/F 夹板式 (夹1.6mm板) K脚			
X.XXX	±0.15	DWN	wilson	17.12.18				
X*	±2.0°	CHK			P/N :			
X.X*	±1.0°	APVD						
 Third Angle Project		FINISH		UNIT	SCALE	WEIGHT	REV	SHEET
		MATERIAL		mm	1:1		B	1 OF 1